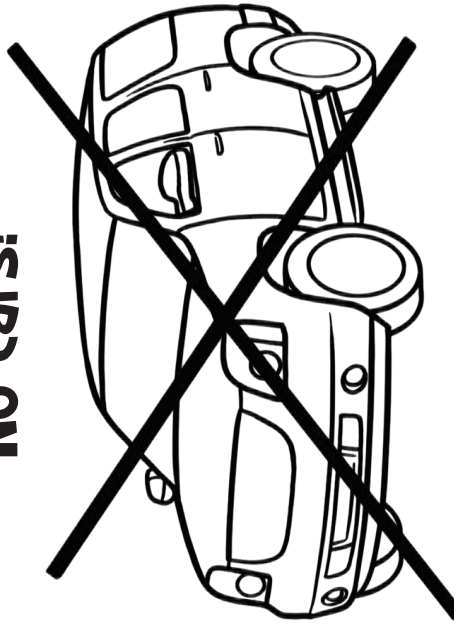
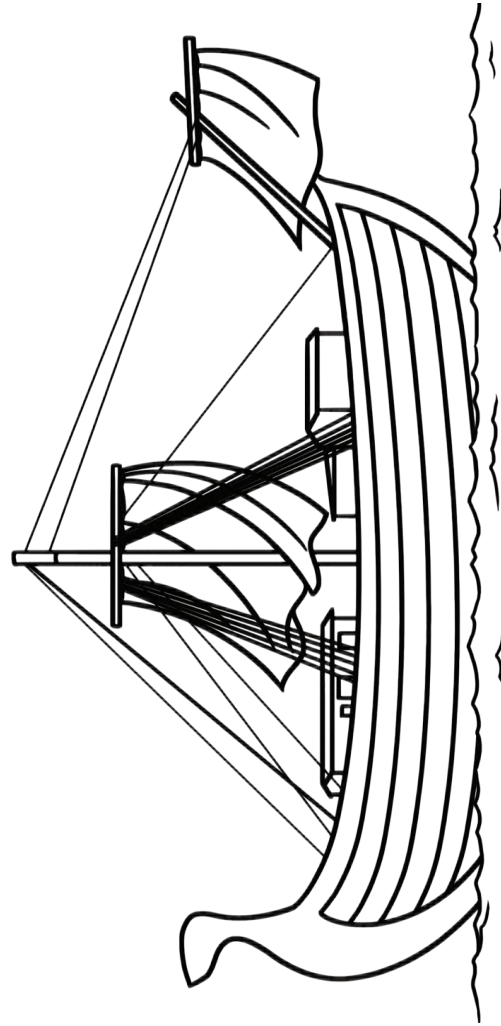
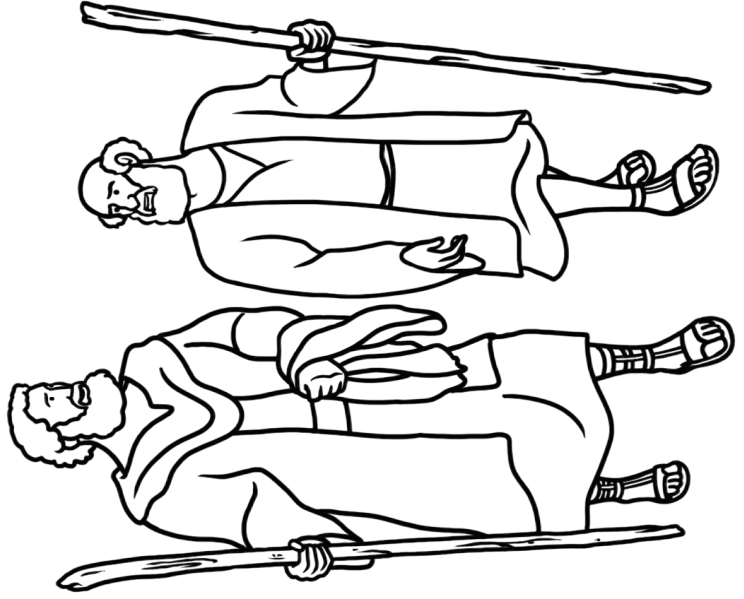
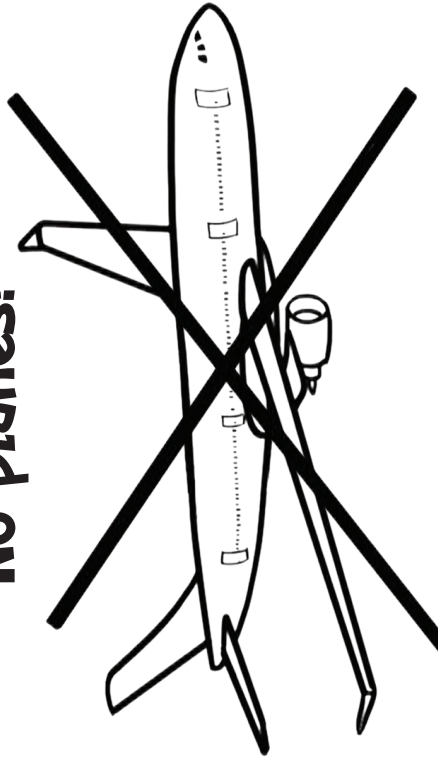


Picture #1

No cars!



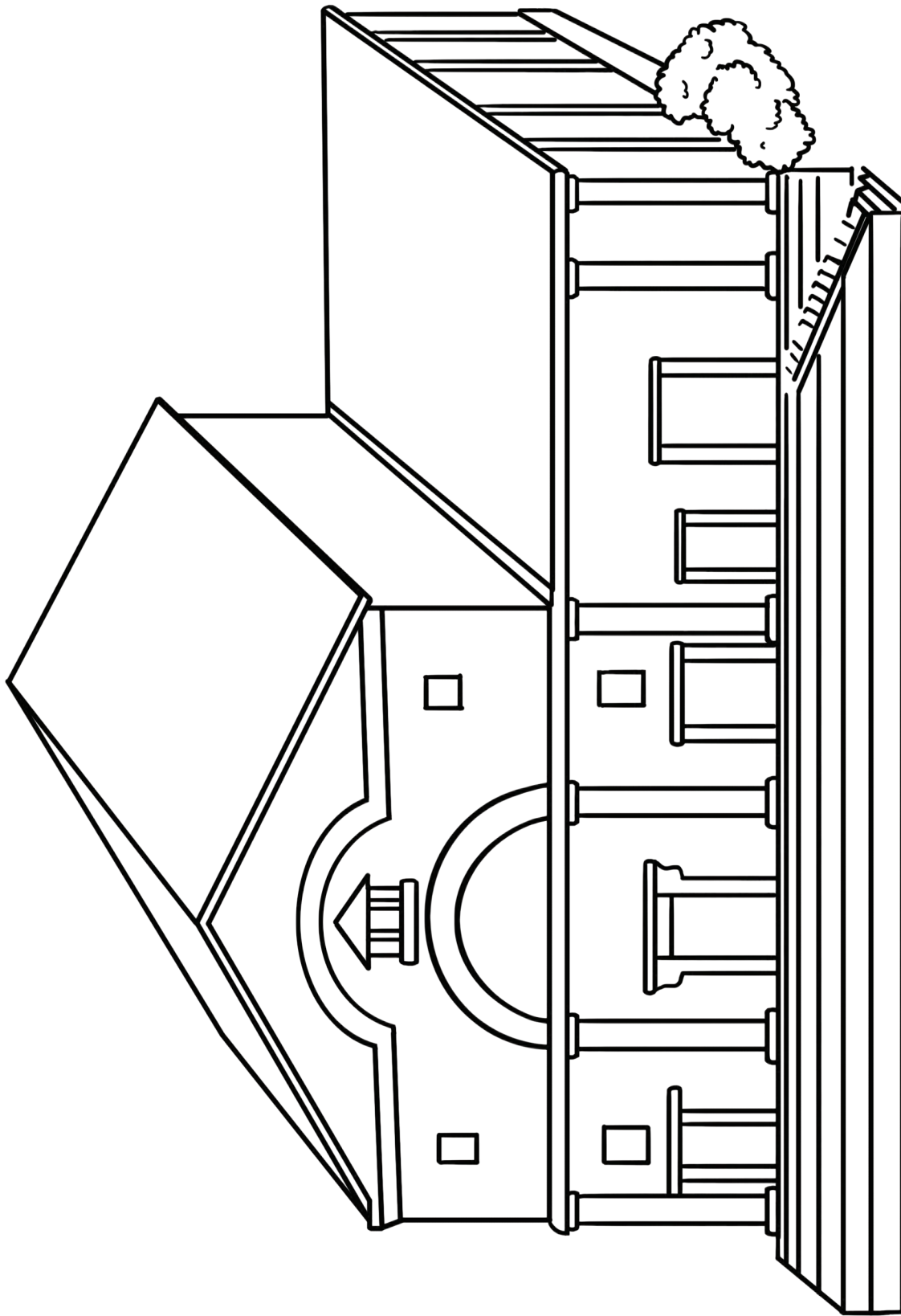
No planes!



Paul and Barnabas sailed or walked on their long journey.

Print and cut out the five illustrations. Pass them out to students to be put up on the board during the lesson.

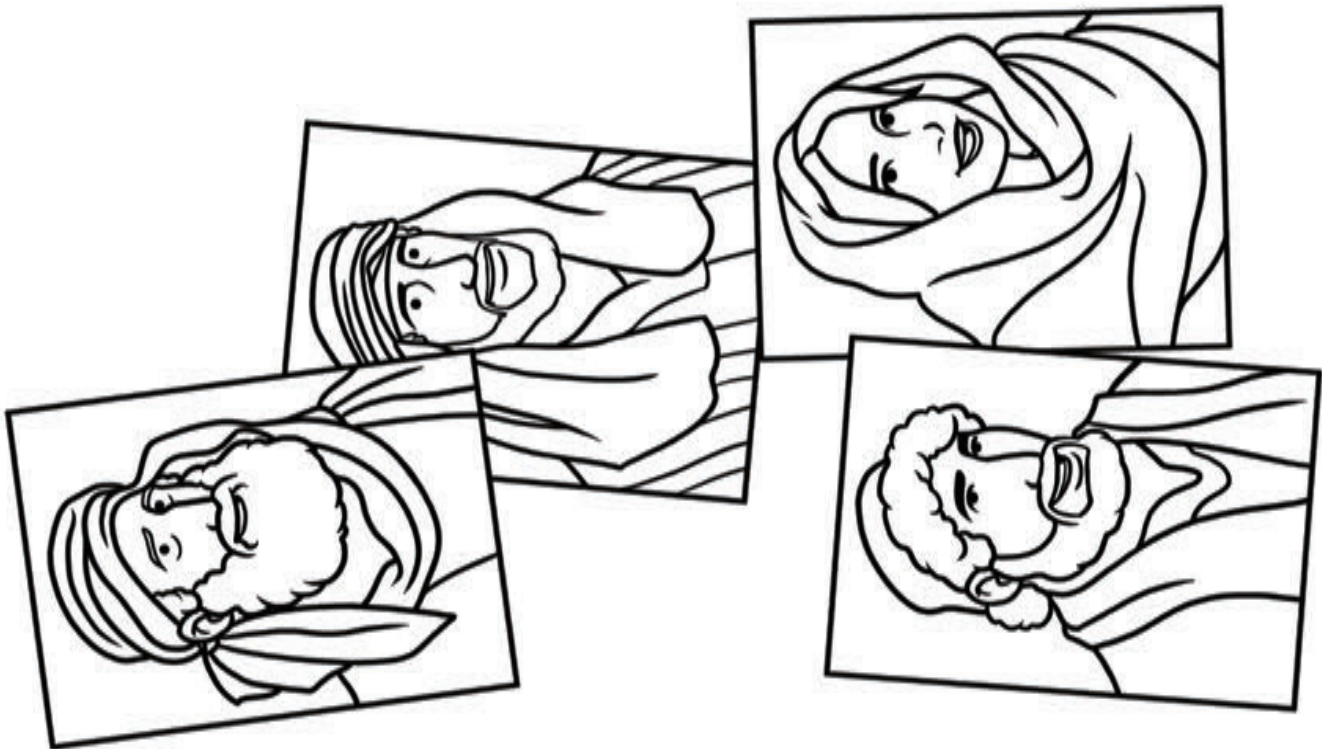
Picture #2



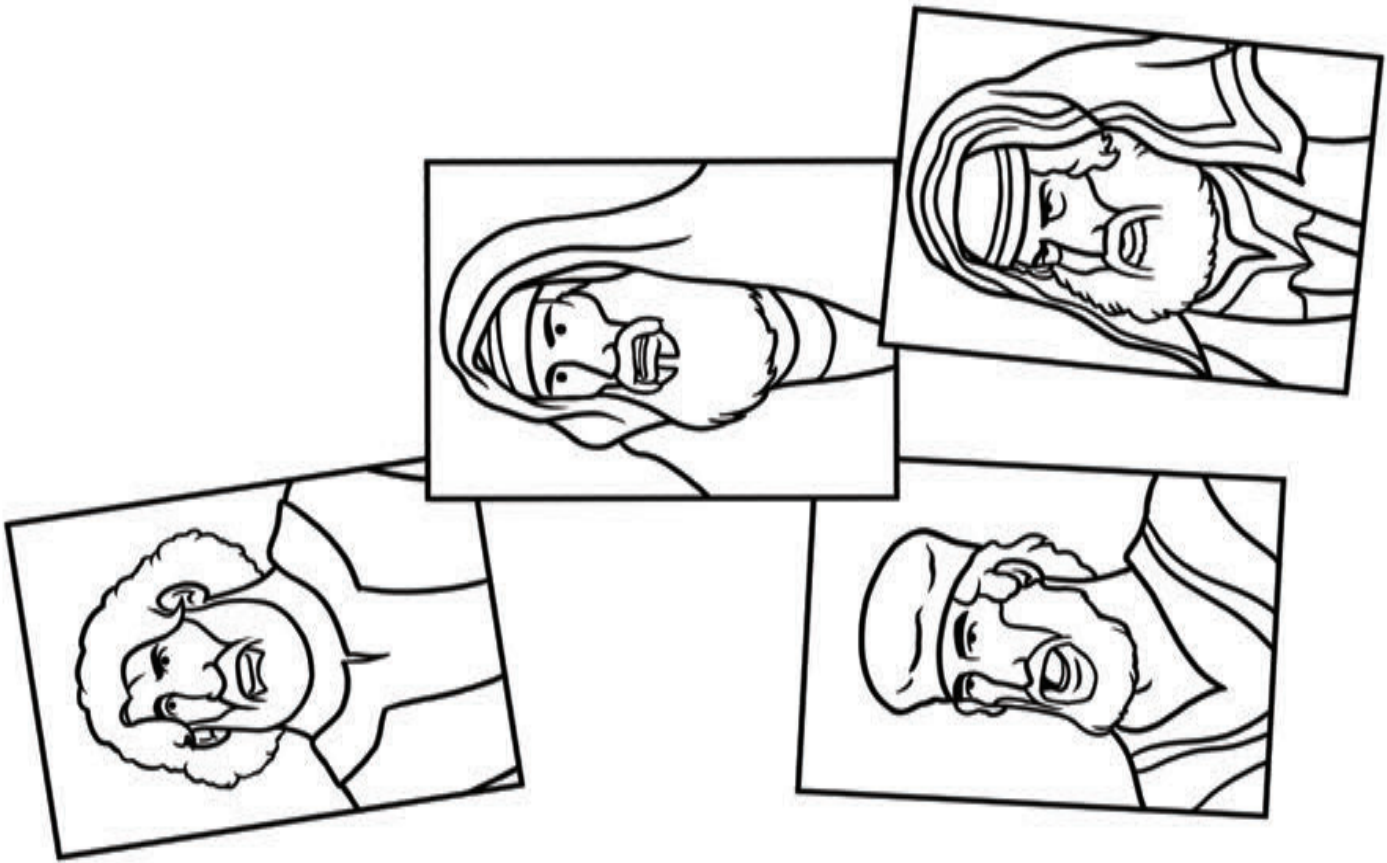
Synagogue: The place the people went to worship God.

Print and cut out the five illustrations. Pass them out to students to be put up on the board during the lesson.

Picture #3



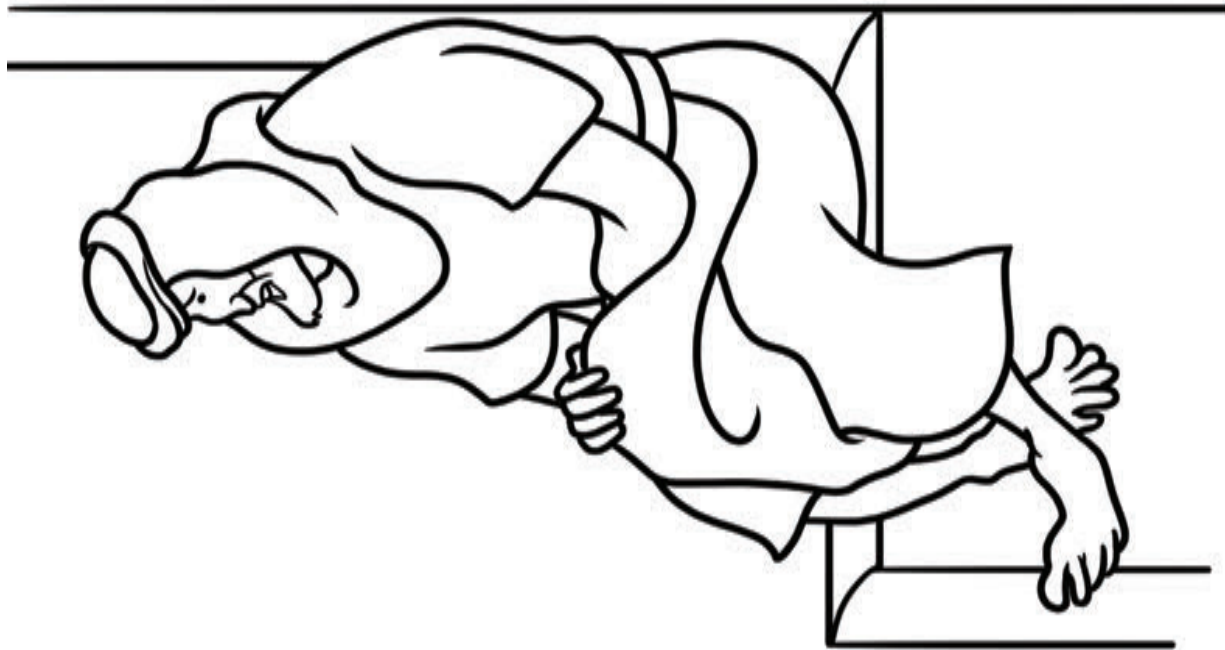
Many people believed.



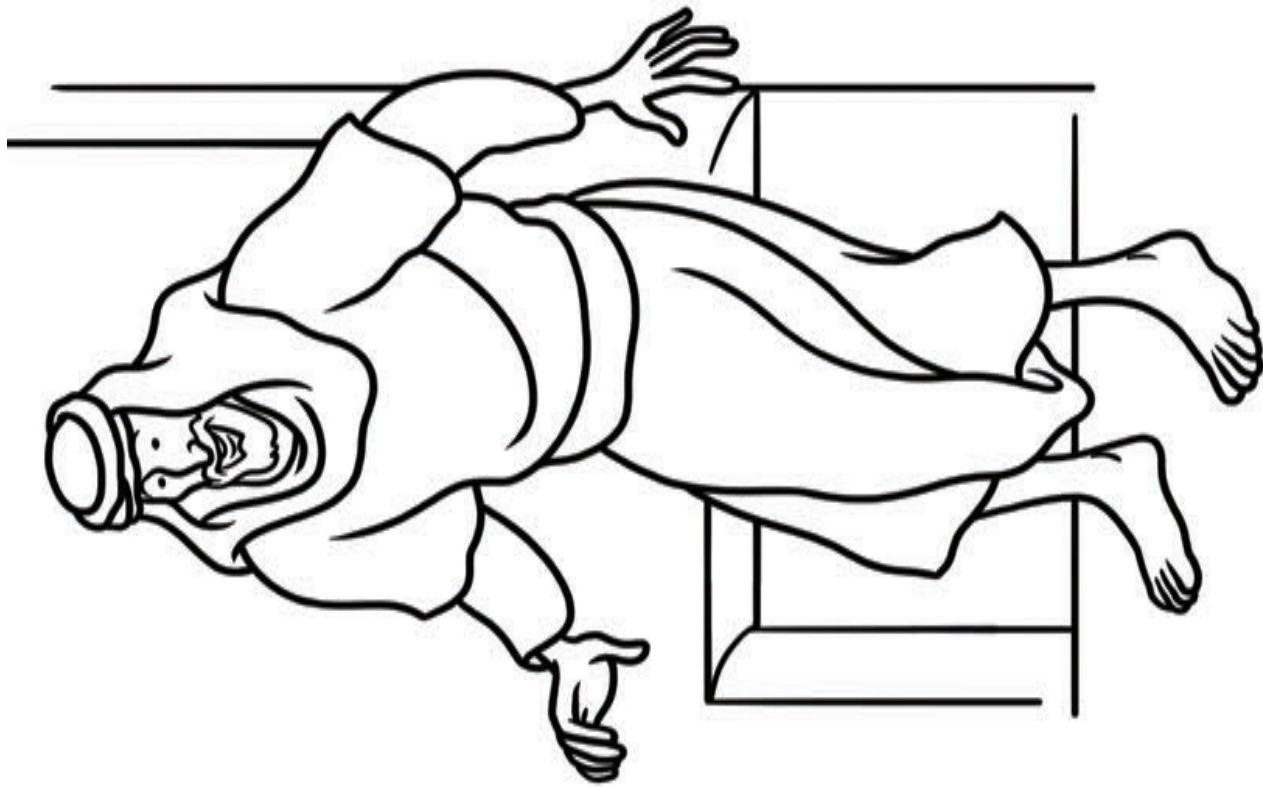
But some did not believe.

Print and cut out the five illustrations. Pass them out to students to be put up on the board during the lesson.

Picture #4



The man could not walk.



**He was healed.
He leaped and walked!**

Print and cut out the five illustrations. Pass them out to students to be put up on the board during the lesson.

Picture #5

We are men just like you! Turn to the true God!



Print and cut out the five illustrations. Pass them out to students to be put up on the board during the lesson.