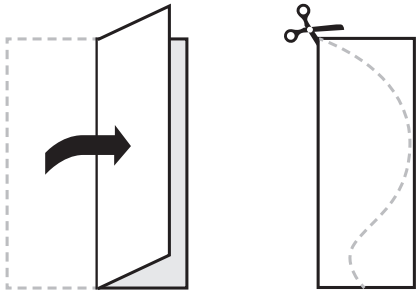


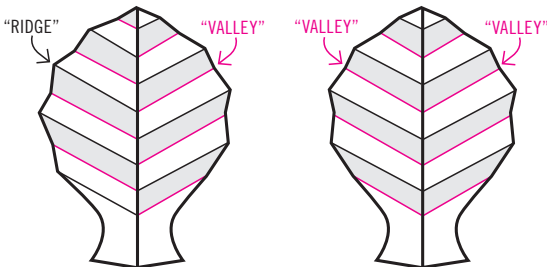
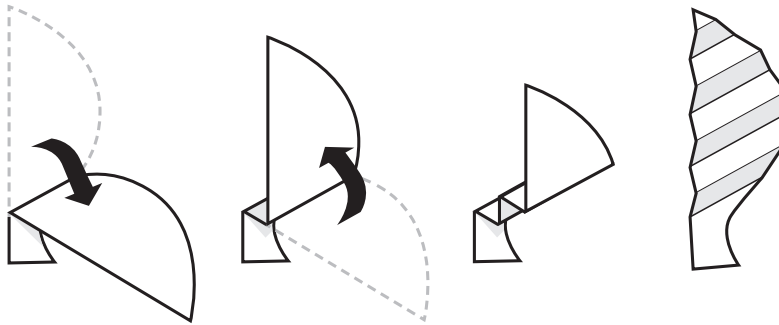
see for yourself . . .

Folding and unfolding a street map can be a real hassle, especially since you have to follow so many steps in exact order. But engineers have discovered a different kind of fold in beech leaves, which allows a large folded object to open and shut with one motion. Although it takes several steps to create the initial fold, once you're done, you can open and close the object with ease.



1. Take a sheet of paper (any size and shape will do, but it works well if the paper is about twice as long as it is wide). Then fold it in half along its long axis. This fold will be the leaf stem. Cut the paper into the shape of a leaf.

2. With the paper still folded, start at one end and make accordion folds all along the stem fold. These folds will be the leaf's veins. They should be parallel to each other and at an acute angle to the stem (a 60-degree angle works well).



3. Now unfold the whole leaf. You will notice two problems. First, the veins on one side are folded in the wrong direction, so reverse those folds. At the same time, the whole stem is a "valley," but every other fold needs to become a "ridge" to match the ridges on the veins.



4. Now you can open and shut your new leaf along the folds, with one quick motion!